

### 100M Pulse Transformer



You can rest assured to buy 100M Pulse Transformer from J ASN. We look forward to cooperating with you, if you want to know more, you can consult us now, we will reply to you in time! H12T07 is a DIP package product.

Model:H12T07D

You are welcomed to come to JASN factory to buy the latest selling, low price, and high-quality 100M Pulse Transformer. We look forward to cooperating with you.

#### Feature

Compliant with IEEE 802.3 standard.

Comply with RoHS requirements.

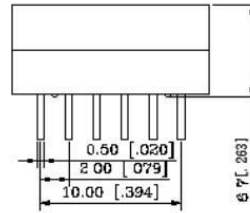
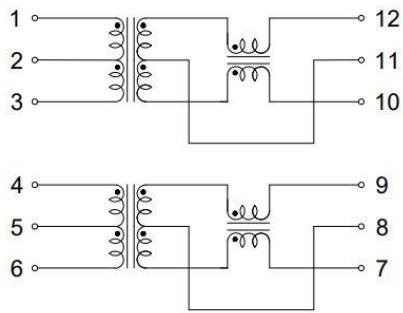
OperatinO temperature ranOeO 0°C to OO0°C.

StoraOe temperature ranOeO -22°C to O102°C.

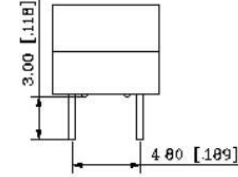
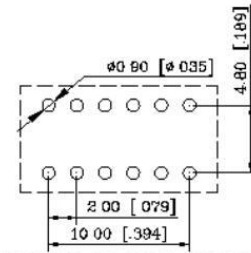
#### Electrical Specifications @ 25°C

OCLO	320uH Min. @100KHz/0.1V with 8mA DC Bias				
Hi-POT O	1200Vrms				
Turn RatioO	1O1 ±3%				
LKO	0.2uH Max @100KHz/0.2V				
Cw/w	32PF Max @100KHz/0.2V				
D.C.RO	1.2 ohm Max				
Insertion LossO	1-100MHzO -1.0dB Max				
Cross Talk O	1-100MHzO -30dB Min				
Return LossO	1-30MHz	40MHz	20MHz	60-80MHZ	80-100MHZ
	-18dB Min	-14.4dB Min	-13.1dB Min	-12dB Min	-10dB Min

Schematic



Mechanical



Unless otherwise specified, all tolerances are  $\pm 0.25$